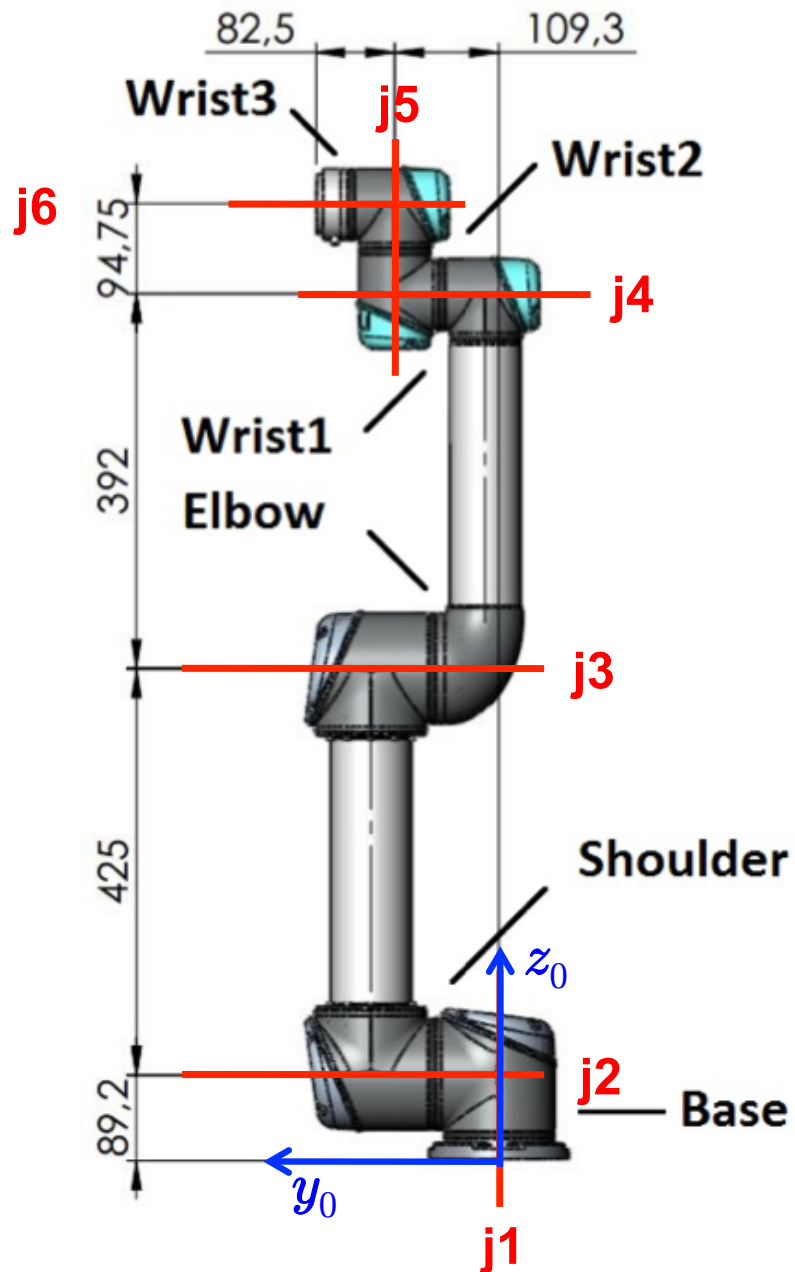


# Robotics I - Sheet for Exercise 1

Midterm test in classroom – November 18, 2016

LAST NAME, First Name \_\_\_\_\_



Draw all the Denavit-Hartenberg frames associated to the robot links according to Tab. 1 in the text.