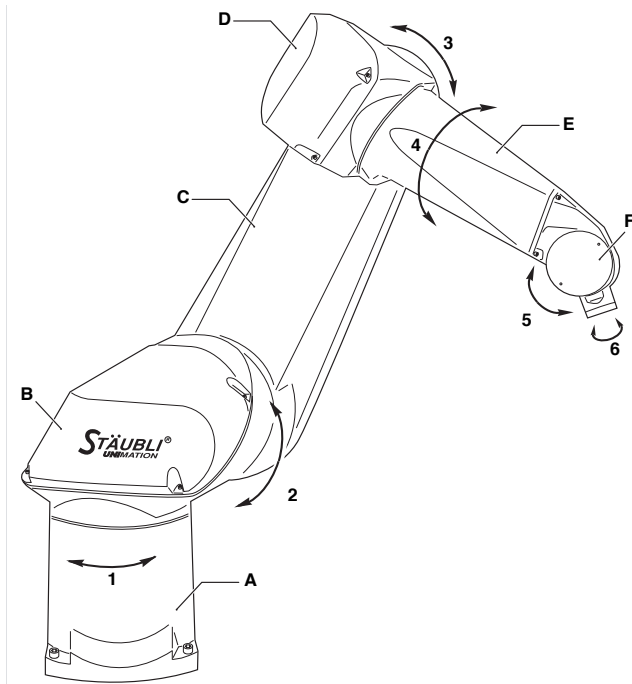
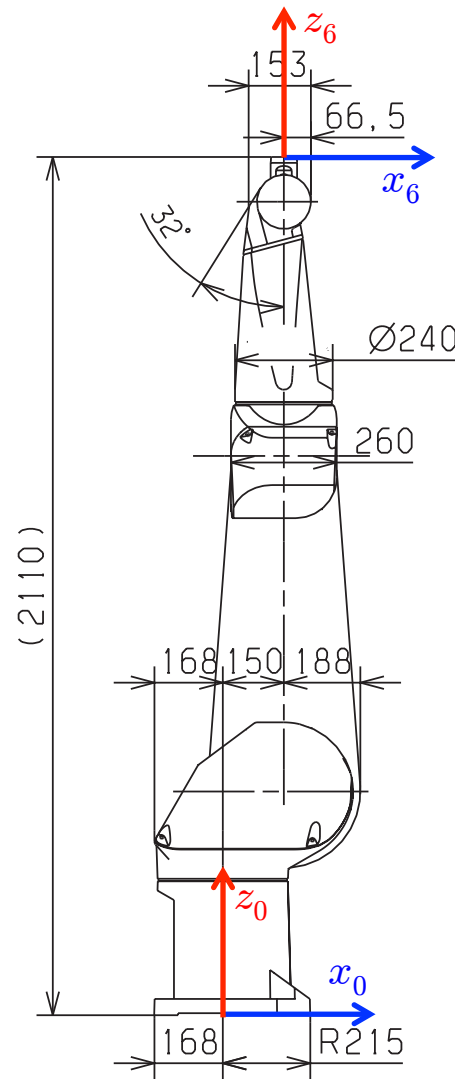


Stäubli RX 160 – Assignment of frames according to the given DH table

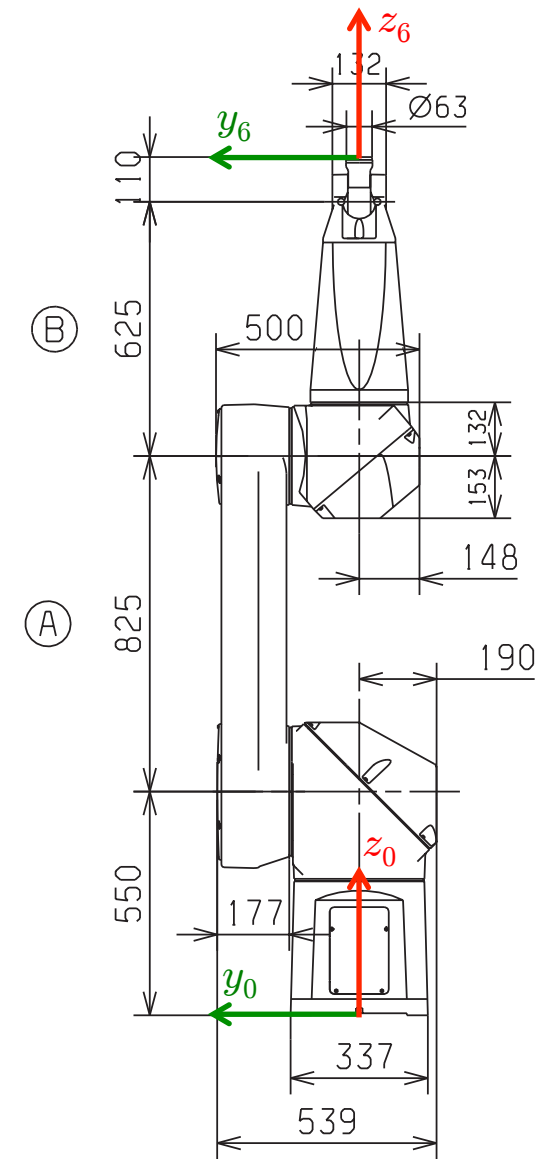
Name: _____



i	α_i	a_i	d_i	θ_i
1	$\pi/2$	$a_1 > 0$	$d_1 > 0$	$q_1 = 0$
2	0	$a_2 > 0$	0	q_2
3	$\pi/2$	0	0	q_3
4	$\pi/2$	0	$d_4 > 0$	q_4
5	$-\pi/2$	0	0	q_5
6	0	0	$d_6 > 0$	$q_6 = 0$



view from the right side



view from the back side