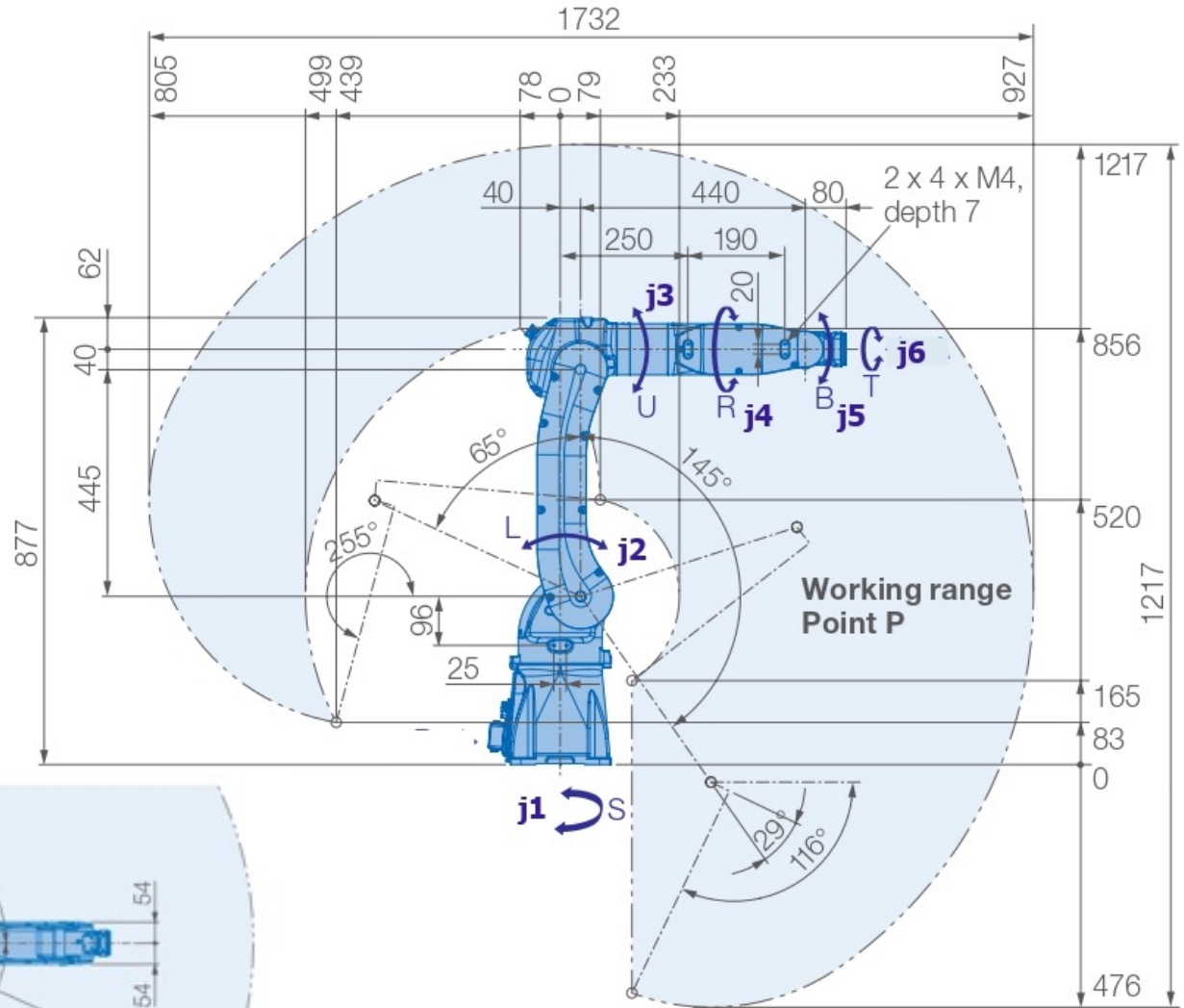


DH frames assignment and table for the YASKAWA Motoman GP7 robot

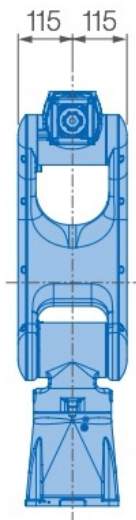
Name: _____

i	α_i	a_i	d_i	θ_i
1 (S)				
2 (L)				
3 (U)				
4 (R)				
5 (B)				
6 (T)				

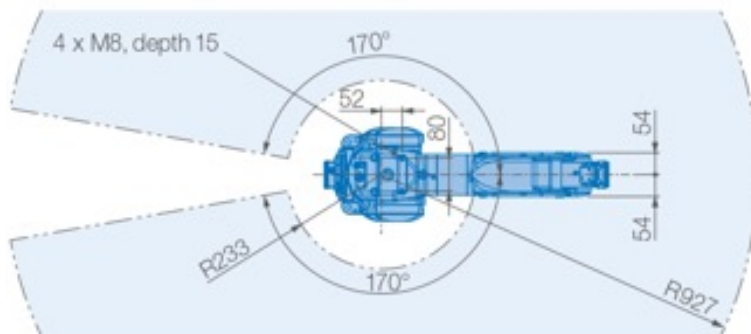
[lengths in mm]



front view



top view



side view