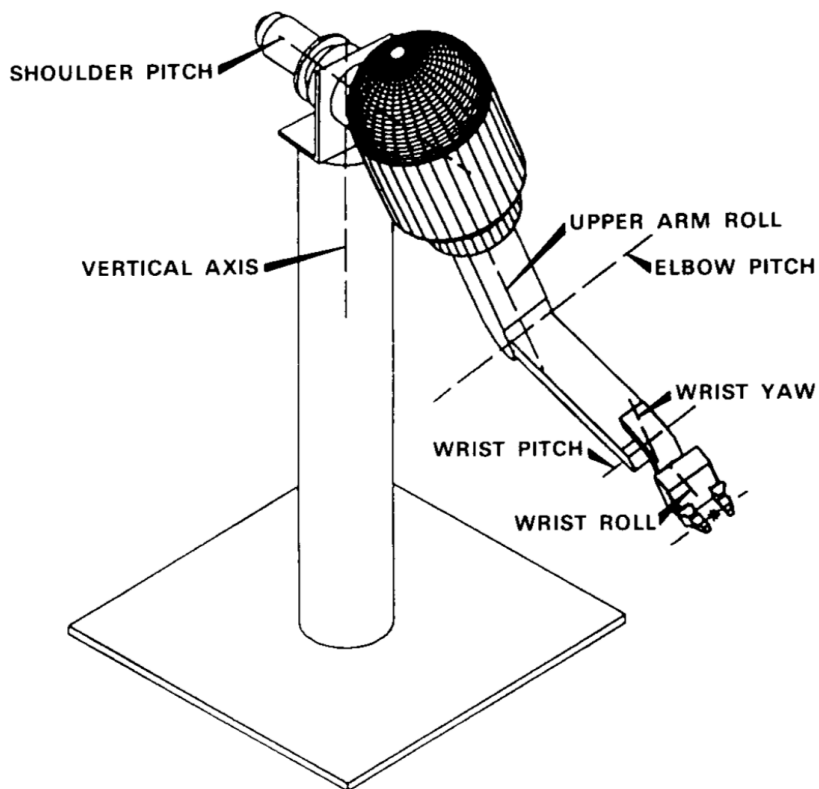


# Robotics I - Extra Sheet #1 (for Exercise 1)

January 7, 2020

Name: \_\_\_\_\_



$i$	$\alpha_i$	$a_i$	$d_i$	$\theta_i$
1				
2				
3				
4				
5				
6				
7				