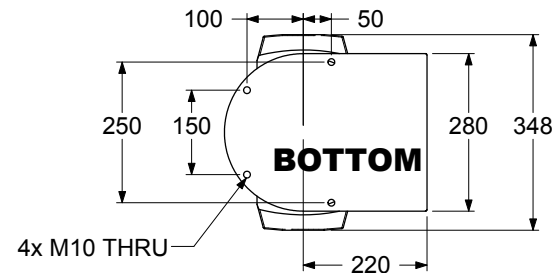
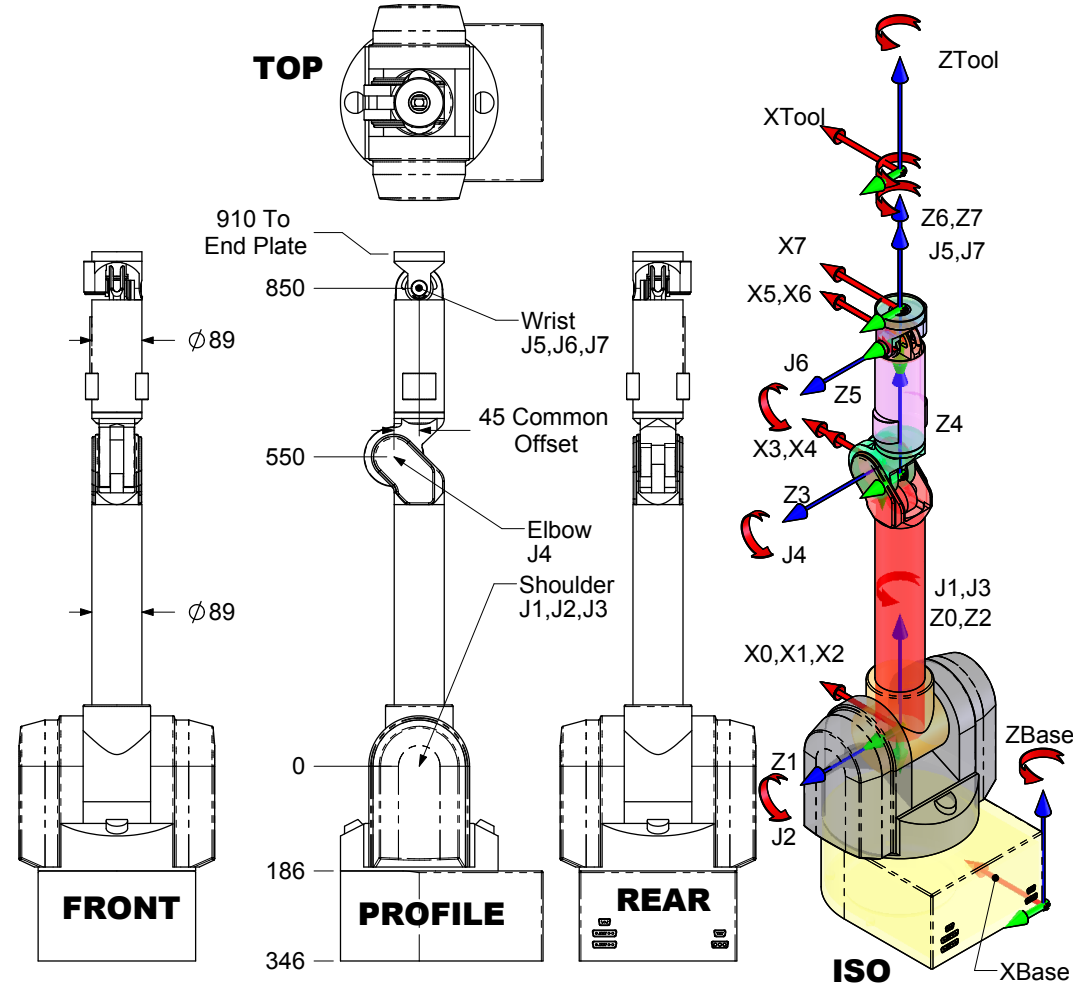


Derivation of DH table from a given assignment of frames for a 7R arm

Name: _____



i	α_i	a_i	d_i	θ_i
1				
2				
3				
4				
5				
6				
7				